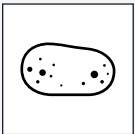


Waste Separating Auger

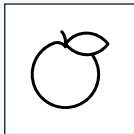
Significantly Reduce Peeler Waste in your Drain System



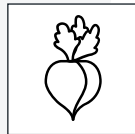
Common Food Applications



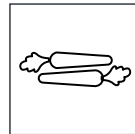
Potatoes



Apples



Beets

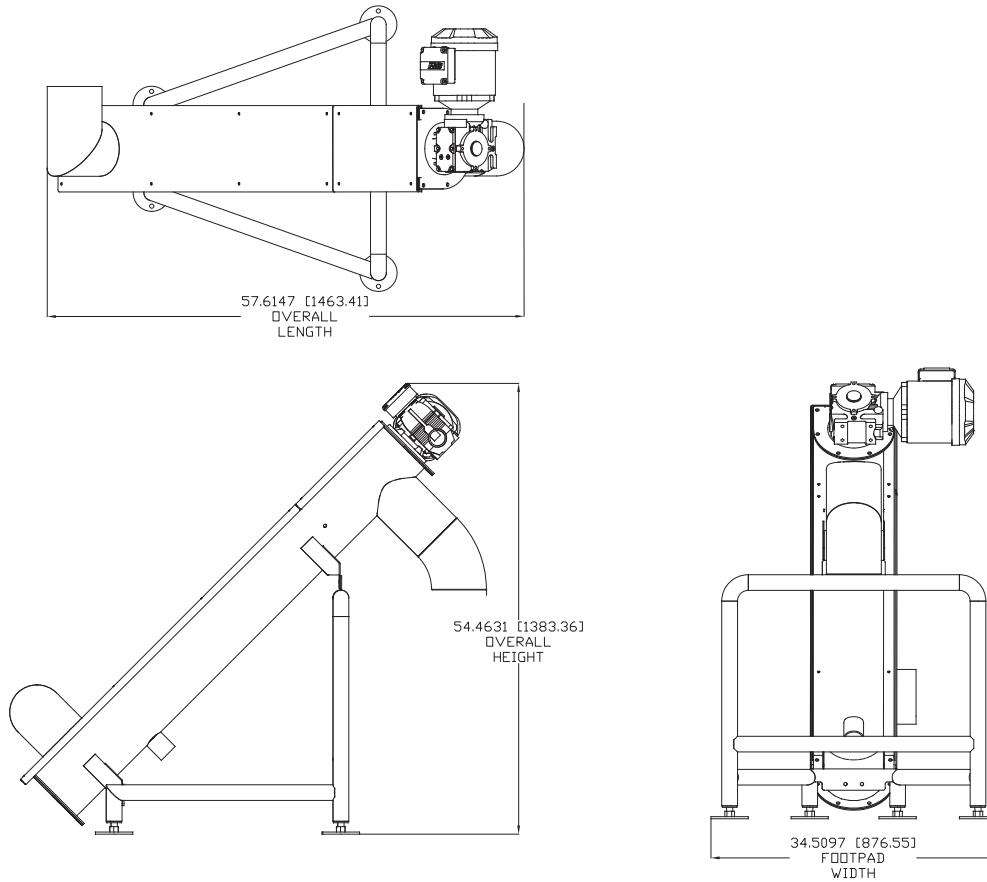


Carrots

The Waste Separating Auger filters solid waste out of process water from Vanmark's abrasive peelers – reducing waste to the drain system and resulting water treatment costs. Peel waste is removed through a self-cleaning screen and collected to be sold. Its small footprint allows it to be located next to the peeler without impacting equipment line flow. The Waste Separating Auger is an economic, easy-to-install solution to address water usage and treatment costs.

- Filter out product waste from peeler process water
- Supports a single Peeler/Scrubber/Washer
- Small footprint, easy installation and start-up
- Sanitary design allows for quick and thorough cleaning

Waste Separating Auger



This drawing contains confidential information is the exclusive property of Vanmark Equipment, LLC. Neither this document, nor its contents, are to be used, reproduced or disclosed in whole or in part without the express written permission of Vanmark. Copyright 2017, Vanmark Equipment, LLC.

Specifications

Discharge Height: 24-32"
(610 mm-815 mm)

Motor: 1.5 HP, 4.2/2.1 amps,
230-460 VAC, 3 phase

Weight: 400 lbs. (180 kg)

Features

- Self-cleaning screen
- Replaceable edge strip coil
- Quick-access cover for easy cleaning and maintenance

Options

- Custom peeler drain pans

1.20v1

Contact Us

Vanmark is proud to provide top quality equipment, exceptional service and peace of mind worldwide for the potato and produce processing industries. Contact us for more information and to custom-fit the Waste Separating Auger for your specific application.



To feed our growing world - Together
Email: sales@vanmark.com
vanmark.com