

Rotary Washer

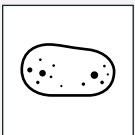
Gentle, Effective Dirt Removal and Washing
in a Light Duty Machine



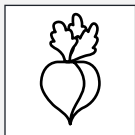
The Rotary Washer is a simple solution to a variety of needs. The unique rotating drum gently tumbles product to expose all surfaces, thoroughly washing and prepping product for further processing. Its range of configurable parts and optional accessories, including an inverter and spray bar, gives the Rotary Washer the flexibility to complete a wide range of actions, such as: separate skins and debris, size and sort, as well as wash, rinse treat and coat product. Its compact footprint, ease of use and sanitary design make it an effective solution for your light duty operation.

- Versatile, light duty machine can separate skins and debris, size and sort, and wash and coat product
- Configure drum panels, functions and optional wet application accessories (spray bars and more) to your exact operation
- Sanitary design with rounded surfaces and built-in spray bar allows for quick and thorough cleaning

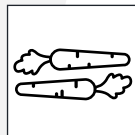
Common Food Applications



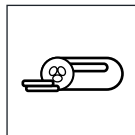
Potatoes



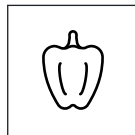
Beets



Carrots

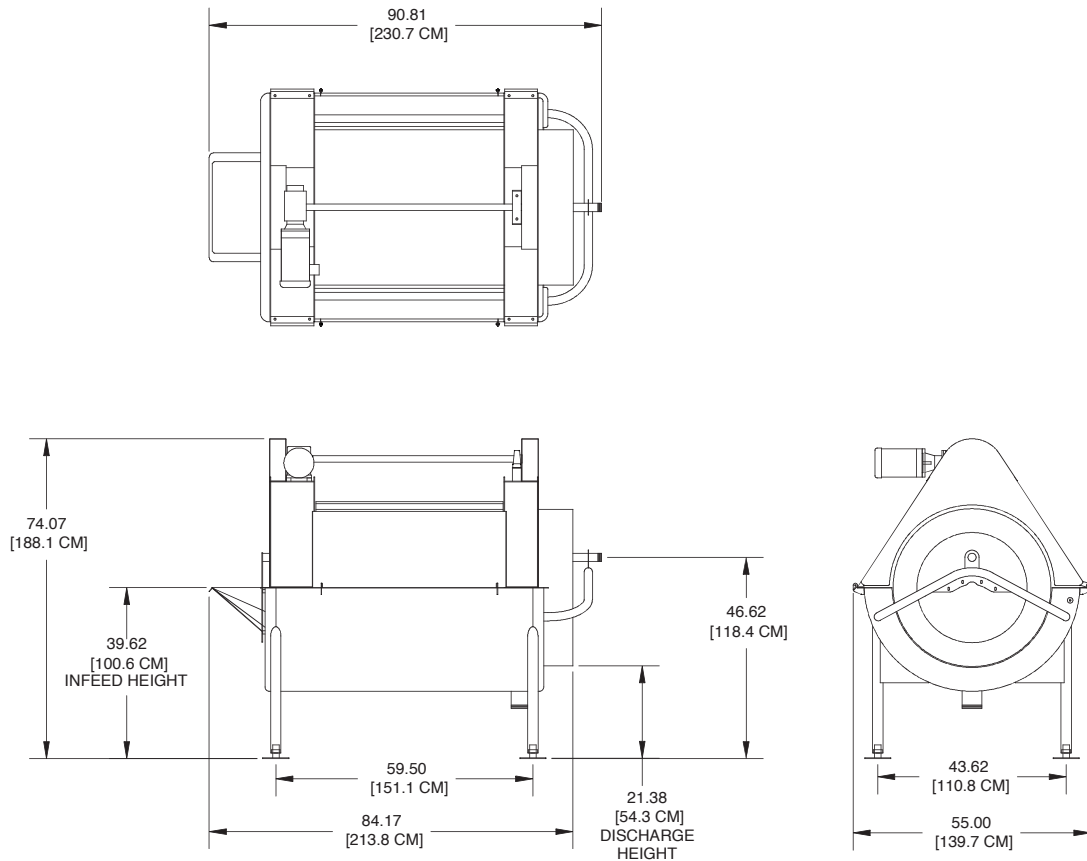


Cucumbers



Peppers

Rotary Washer



Specifications

Drum Speed: 3-12 RPM

Motor: .75 HP, 230-460 VAC, 60 Hz, 3 Phase

Water (wet scrub only): 3.5-7 GPM

Weight: 900 lbs. (408 kg)

Features

- Stainless steel drum panels available: rodded, wire mesh and perforated

Options

- Center spray bar, internal scroll, skid mounting

E 8.17v4

Contact Us

Vanmark is proud to provide top quality equipment, exceptional service and peace of mind worldwide for the potato and produce processing industries. Contact us for more information and to custom-fit the Rotary Washer for your specific application.



To feed our growing world - Together

Phone: +1 740-201-0004

Email: sales@vanmark.com

vanmark.com