

Peeler/ Scrubber/ Washer – 2820/2822

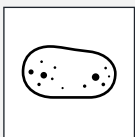
Wash and Peel Products Efficiently in a
Double Chamber, 16-Roll Machine



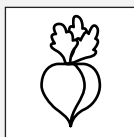
Vanmark's Peeler/Scrubber/Washers integrate product washing and peeling into one machine effectively and efficiently. The 2820 and 2822 models have two chamber beds and a total of 16 rolls, doubling processing capacity – a perfect solution for commercial, around-the-clock operations. Its flexible design allows you to run one or both beds – not affecting uptime for maintenance or sanitation. Product is tumbled through a configurable combination of roller types, spray bars and other options, speed and settings – ensuring thorough and efficient cleaning and/or peeling. Its exclusive Natural Flow Gate minimizes dead spots and over-peeling – increasing yield.

- Clean and peel product efficiently and effectively in one machine
- Flow rates up to 20,000 pounds per hour of storage potato capacity. Higher rates available following steam applications
- Configure roll types, speed and discharge gates to your exact operation. Further specialize with a variety of options
- Exclusive Natural Flow Gate dramatically reduces peel loss and increases yield compared to conventional dams or auger gates.
- Sanitary design with quick roll change system and easy access peel chamber allows for quick and thorough cleaning

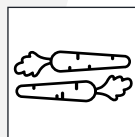
Common Food Applications



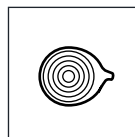
Potatoes



Beets

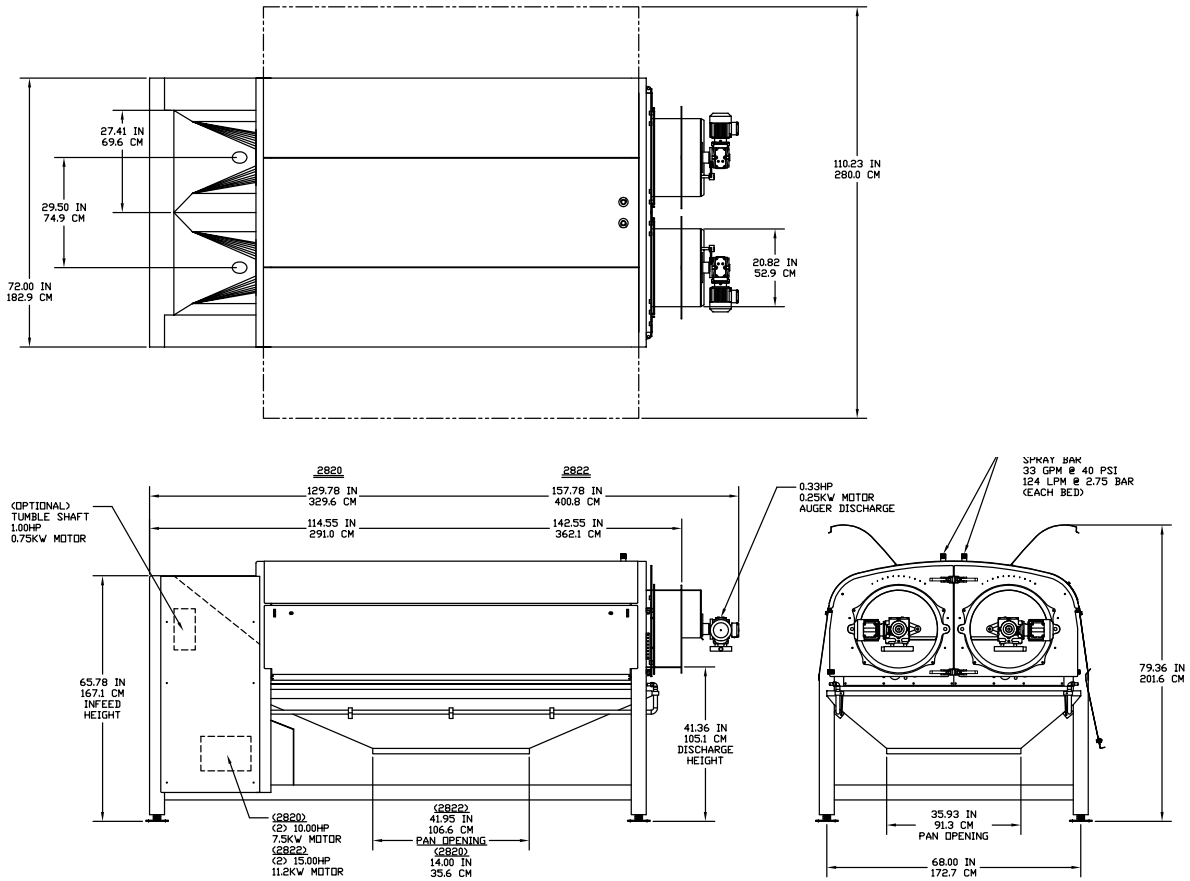


Carrots



Onions

Peeler/Scrubber/Washer – 2820/2822



Specifications

Roll Speed: 100-550 RPM

Motor:

Model 2820: 10 HP

Model 2822: 15 HP

Weight:

Model 2820: 5500 lbs. (2050 kg)

Model 2822: 6000 lbs. (2240 kg)

Features

- 16-roll configuration
- Available roll types: rubber finger (knocker), rubber pintle, brushes and coated abrasive
- Natural Flow Gate standard on Model 2820, optional on Model 2822
- Variable speed control requires a customer-supplied inverter or Vanmark-provided inverter at an additional cost

- Includes trapped key door interlock system (24V or 120V)

Options

- Adjustable infeed chute, discharge funnel chutes, reversing roll, auger discharge, automatic lubrication system, under-roll or peel chamber CIP cleaning system, internal tumbling unit, door handle kit

E 8.17V4

Contact Us

Vanmark is proud to provide top quality equipment, exceptional service and peace of mind worldwide for the potato and produce processing industries. Contact us for more information and to custom-fit the Peeler/Scrubber/Washer – 2820/2822 for your specific application.



To feed our growing world - Together

Phone: +1 740-201-0004

Email: sales@vanmark.com

vanmark.com